

# LEO 30 T

## Technical Data of\*

Aerial Work Platform **TEUPEN<sup>®</sup>hyLIFT<sup>®</sup>**



**LEO 30 T**

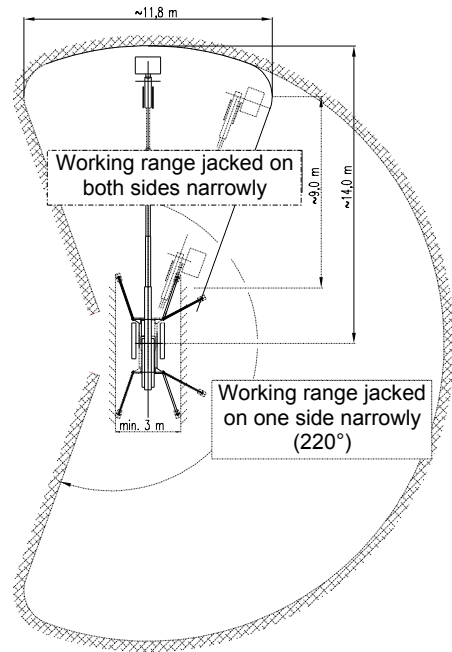
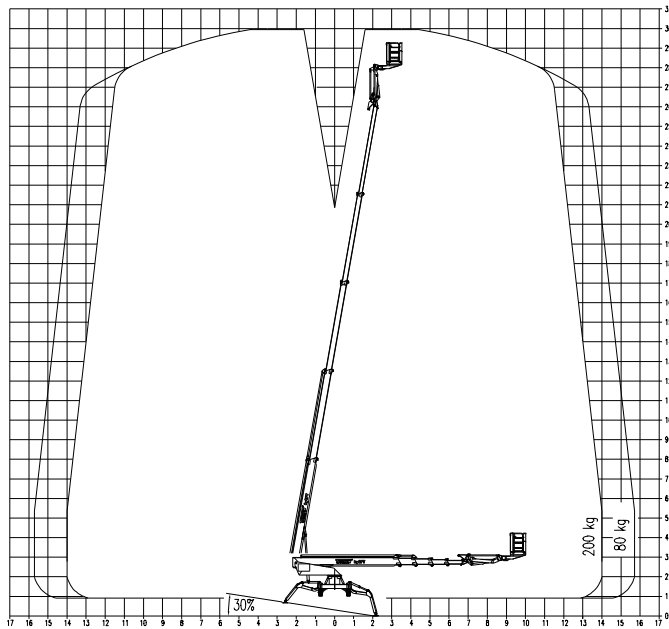
Working height:	approx. 30,00 m
Cage floor height:	approx. 28,00 m
Lateral outreach to either side at 200 kgs:	approx. 14,00 m
at 80 kgs:	approx. 15,70 m
Safe load on cage:	200 kgs
Working cage rot. hydr. around:	180°
Swivelling range of art. top boom:	180°
Size of working cage (LxWxH):	approx. 1,2 x 0,8 x 1,1m
Overall length in travelling position:	approx. 7,20 m
Overall width in travelling position min.:	approx. 1,58 m
Overall height in travelling position min.:	approx. 1,98 m
Range of rotation:	approx. 450°
Total weight:	approx. 4200 kgs
Max. load on jack plate per plate.:	approx. 26 kN
Size of stabilizing jack plate:	approx. 0,31 m x 0,22 m
Surface load in standard work position:	approx. 2,0 kN/m <sup>2</sup>
Ground pressure in travelling position:	approx. 5,7 N/cm <sup>2</sup>
Standard jacked area (LxW) min.:	approx. 4,89 x 4,34 m
Loading possibility (WxH) max.:	approx. 2,40 x 1,10 m
To be jacked up to ground slope:	approx. 30 %
Chassis to be adj. in height hydr. by:	approx. 0,22 m
Ground clearance:	approx. 0,31 m
Climbability:	approx. 30 %
Travelling speed up to:	approx. 0 to 3 km/h
Range of wireless control:	approx. 100 m
Restricted jacked area (LxW) max.:	approx. 6,22 x 2,58 m
Restricted range of rotation (both sides narrow):	approx. 2 x 20°
(one side narrow):	approx. 220°
Control voltage:	24 V
Electric-drive:	230 V / 400 V

## Driving engine Kubota D 1005-E

Vertical, water-cooled, 3-cylinder 4-cycle diesel engine

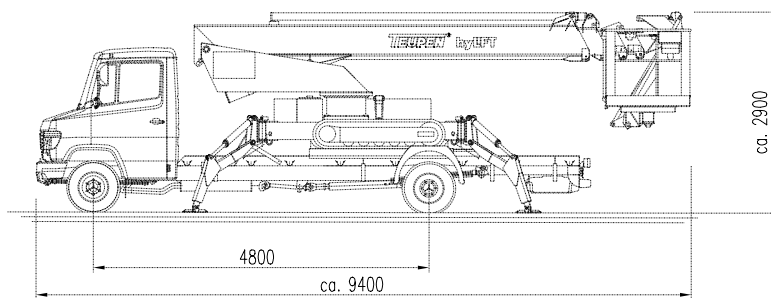
Cubic capacity:	1001 cm <sup>3</sup>
Maximum output:	15.1 kW (20 HP)
Fuel type:	Diesel
Noise emission:	Approx. 77 dB (A) (at a distance of 7 m)

\*Technical data with standard equipment!



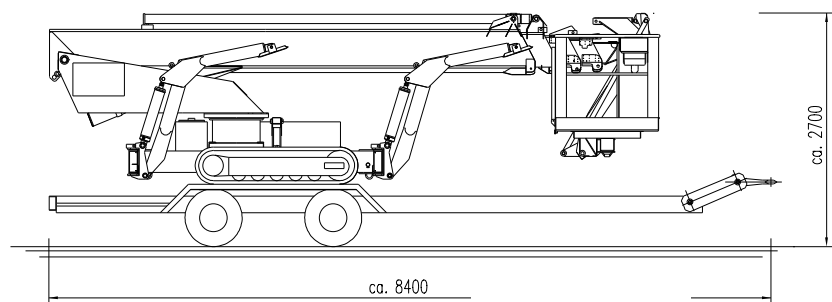
## Three in One

### As truck version

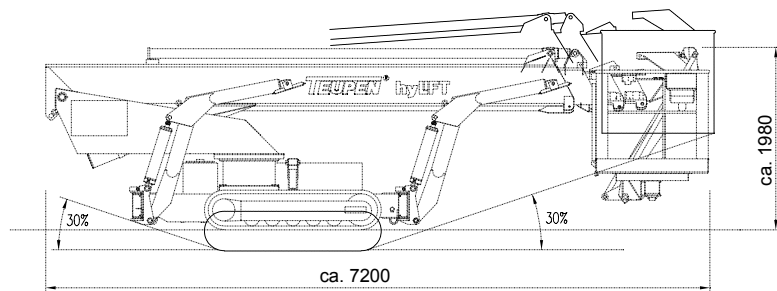


Max. load platform height: 1050 mm (unload)  
 Max. load platform width: 2400 mm  
 Min. load platform length: 5500 mm  
 Minimum payload: 4200 kg  
 Wheelbase min.: 4800 mm

### As trailer version (compressed air braked)



### As self-propelled unit



Alteration in construction reserved!

## TEUPEN Maschinenbaugesellschaft mbH

Address: Marie-Curie-Strasse 13 - 48599 Gronau-GERMANY - Phone ++49 / 2562 / 8161-0 - Fax ++49 / 2562 / 8161-888  
 P. O. Box: 1951 - 48580 Gronau-GERMANY

Internet: <http://www.teupen.info> - E-mail: [mail@teupen.info](mailto:mail@teupen.info)